



**ZXT-310**  
(Z-Wave-to-AV IR Extender)



## Table of Contents

|  |           |
|--|-----------|
| <b>Introduction</b> .....                                  | <b>3</b>  |
| <i>Controller and Gateway Requirements</i> .....           | 4         |
| <i>Built-in IR code library</i> .....                      | 4         |
| <i>Host based IR code library</i> .....                    | 4         |
| <i>Glossary</i> .....                                      | 5         |
| <i>Product Overview</i> .....                              | 6         |
| <b>Setup and Operations</b> .....                          | <b>6</b>  |
| <i>Include / Exclude device to network</i> .....           | 7         |
| <i>Add/Remove Device to/from a Simple AV channel</i> ..... | 9         |
| <i>IR Code Selection</i> .....                             | 10        |
| <i>IR Port Mapping</i> .....                               | 11        |
| <i>IR Output Power</i> .....                               | 12        |
| <i>IR Code Learning</i> .....                              | 13        |
| <i>Reset ZXT-310 to factory default</i> .....              | 14        |
| <i>ZXT-310 Information</i> .....                           | 15        |
| <i>IR Transmission mode</i> .....                          | 15        |
| <i>End-Point Selection Control</i> .....                   | 16        |
| <i>Z-Wave Configuration Parameters</i> .....               | 17        |
| <b>Installation</b> .....                                  | <b>21</b> |
| <i>Mounting the ZXT-310 to a wall</i> .....                | 21        |
| <b>Wireless Information</b> .....                          | <b>23</b> |
| <b>Maintenance</b> .....                                   | <b>23</b> |
| <b>Frequently Asked Questions</b> .....                    | <b>23</b> |
| <b>Technical Specifications</b> .....                      | <b>25</b> |
| <b>Checking Accessories</b> .....                          | <b>26</b> |
| <b>FCC Notice</b> .....                                    | <b>26</b> |
| <b>Warnings</b> .....                                      | <b>27</b> |
| <b>Caution</b> .....                                       | <b>27</b> |

# ZXT-310

## (Z-Wave-to-AV IR Extender)

### Operating Instructions

#### Introduction

ZXT-310 is a Z-Wave-to-AV IR Extender (Figure 1) and it works with any Z-Wave compliant controller or gateway by translating Z-Wave Simple AV command to IR control code. User can set the IR code from the built-in code library of ZXT-310, or use the learning function of ZXT-310 through any Z-Wave controller or gateway.



*Figure 1. Operation diagram*

It also supports Z-Wave networks with multiple gateways and controllers. Like every Z-Wave accessory, the user will need to include the ZXT-310 into his Z-Wave network using the primary controller. Then, the user can use either the primary controller or secondary controller to configure and setup the ZXT-310 using Z-Wave's configuration command class. Once the configuration and setup is completed, the controller can use Z-Wave's "Simple AV commands class" to control their IR-controlled AV equipment with the ZXT-310. User can enjoy fully wireless control and home automation system anywhere at home.

## *Controller and Gateway Requirements*

The ZXT-310 is architected to work with any Z-Wave compliant controller or gateway supporting the following Z-Wave commands.

- Configuration Command Class
- Simple AV Command Class
- Multi-channel Command Class (optional)

## *Built-in IR code library*

The built-in IR code library enables the ZXT-310 to work with any Z-Wave compliant gateway and controller. Gateway and controller will not need to have any knowledge related to IR control code. It also eliminates the need for complex set up procedures and proprietary Z-Wave commands to configure the system. The IR code library supports various brand name of AV equipment found in the today's market. User can use his controller or gateway to send a 4 digits AV IR code number (include the brand selection) using standard Z-Wave configuration command.

## *Host based IR code library*

ZXT-310 also supports host-based library upgrade for 6 AV database. Once gateway support this advanced feature, 6 AV database can be upgraded by gateway very easily and support different regions and customers.

## Glossary

|                                     |   |
|-------------------------------------|---|
| <b>Device or Node</b>               | Devices and nodes are all terms to describe an individual Z-Wave device. These are all interchangeable when setting up your Z-Wave network.   |
| <b>Inclusion</b>                    | Add a Z-Wave device to the network.   |
| <b>Exclusion</b>                    | Delete a Z-Wave device from the network.  |
| <b>Remove</b>                       | To take a device out of a group, scene or association group while that device still exists in the same Z-Wave network.  |
| <b>Z-Wave Network</b>               | A collection of Z-Wave devices is controlled by primary and secondary controllers operating on the same system. A Z-Wave network has its own unique ID code so that controllers not in the network cannot control the system.   |
| <b>Primary Controller</b>           | The first controller is used to set up your devices and network. Only the Primary Controller can be used to include or delete modules from a network. It is recommended that you mark the primary controller for each network for ease in modifying your network.   |
| <b>Network Wide Inclusion (NWI)</b> | Network Wide Inclusion (NWI) enables both end-user friendly, Plug and Play like Z-Wave network installation as well as professional installation scenario where the inclusion process in terms of time will be reduced significantly. NWI is a feature supported by a new frame type named Explorer which enables the Z-Wave protocol to implement Adaptive Source Routing. |

## Product Overview

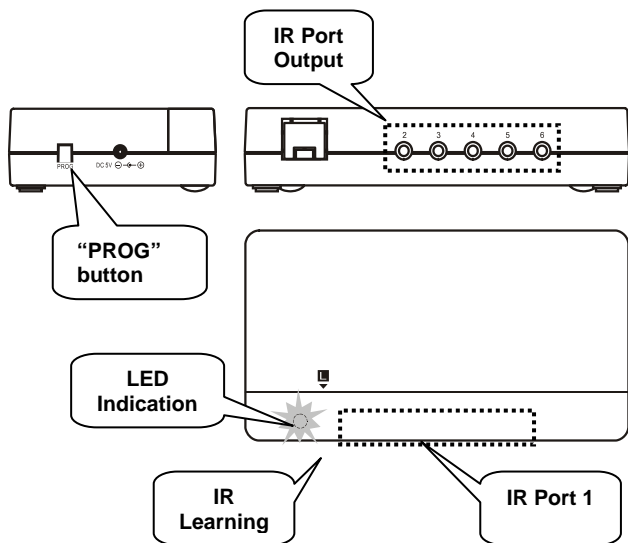


Figure 2 PROG Key and IR Ports of ZXT-310

## Setup and Operations

Before using the ZXT-310, please read the [INSTALLATION] if it is needed to mount the ZXT-310 to a wall. Power up the ZXT-310 by the supplied AC/DC adaptor.

### ⓘ CAUTION

- Be sure to always use the supplied AC/DC adaptor.
- Do not try to power up other device with the supplied AC/DC adaptor. This could damage the AC/DC adaptor or the connected device.

*(Please carefully read through the following then store the manual for future reference.)*

## Change Z-Wave-to-IR Channel (EP) on ZXT-310

| Step | Setup Key   | LED Indication Status on ZXT-310   |
|------|---|--|
| 1    | Press and hold PROG button on the ZXT-310 for 3seconds to start switching the EP<br>(1->2->3->4->5->6->1->2...) | <ul style="list-style-type: none"><li>• LED flashes once = EP1</li><li>• LED flashes twice = EP2</li><li>• LED flashes 3 times = EP3</li><li>• LED flashes 4 times = EP4</li><li>• LED flashes 5 times = EP5</li><li>• LED flashes 6 times = EP6</li></ul> |

## *Include / Exclude device to network*

### Adding Device to the Network

| Step | Setup Key   | LED Indication Status on ZXT-310   |
|------|---|--|
| 1    | Make sure ZXT-310 switched to Channel 1 (EP1)   | <ul style="list-style-type: none"><li>• LED flashes once then keep on</li></ul>                                      |
| 2    | Refer to your primary controller instructions to process the inclusion setup procedure. | -  |
| 3    | Press the PROG button on ZXT-310  | <ul style="list-style-type: none"><li>• LED flashes once then keep on</li><li>• Device inclusion completed</li></ul> |

*Note 1: Red LED flashes 6 times means the setup process is failed. Please redo the process again.*

*Note 2: If you can't add the ZXT-310 to network, it might have been included in another Z-Wave network or the ZXT-310 is not on Channel 1 (EP1). In this case, please delete it following the steps in the [Deleting Device from the Network] section then make sure ZXT-310 is on the Channel 1 (EP1) and add it again.*

*Note 3: This step can be skipped if the device is already existed in the network.*

### Deleting Device from the Network

| <b>Step</b> | <b>Setup Key</b>  | <b>LED Indication Status on ZXT-310</b>  |
|-------------|---|--|
| 1           | Make sure ZXT-310 switched to Channel 1 (EP1)   | <ul style="list-style-type: none"><li>• LED flashes once then keep on</li></ul>                                      |
| 2           | Refer to your primary controller instructions to process the exclusion setup procedure. | -  |
| 3           | Press the PROG button on ZXT-310  | <ul style="list-style-type: none"><li>• LED flashes once then keep on</li><li>• Device exclusion completed</li></ul> |



## Add/Remove Device to/from a Simple AV channel

There are 6 Simple AV Channels in ZXT-310, user can assign them to any of the 8 device icons on controller / gateway UI, for example: “TV”, “DVD”, “STB/CBL”, “AUX” etc...

### ⓘ Important

- Simple AV Channel is a Z-Wave virtual channel and it is not related to IR Port output. User can use the IR Port Mapping function to map the IR port output to Simple AV Channel/AV device.

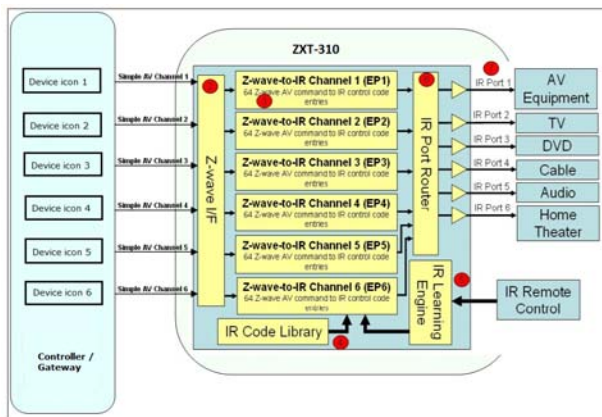


Figure 3. Z-Wave-to-IR Channel (EP) and IR Ports

| Device        | End-point no. | IR code no. | IR output port no. | IR output power |
|---------------|---------------|-------------|--------------------|-----------------|
| Device icon 1 |               |             |                    |                 |
| Device icon 2 |               |             |                    |                 |
| Device icon 3 |               |             |                    |                 |
| Device icon 4 |               |             |                    |                 |
| Device icon 5 |               |             |                    |                 |
| Device icon 6 |               |             |                    |                 |

Configuration data in ZXT-310

## IR Code Selection

### Selecting an IR Device Code in ZXT-310

#### ① Important

- Please make sure that the “End point selection control” has completed (if necessary) before process the following setup.

| Step | Setup Key  | LED Indication Status on ZXT-310   |
|------|--|--|
| 1    | Make sure ZXT-310 switched to Channel 1 (EP1)  | <ul style="list-style-type: none"><li>• LED flashes once then keep on</li></ul>  |
| 2    | Refer to your primary controller instructions to process the configuration setup procedure.<br>- Parameter: 27<br>- Value: 0001 (Refer to IR code list of ZXT-310) | -  |
| 3    | Press the PROG button on ZXT-310   | <ul style="list-style-type: none"><li>• LED flashes twice then keep on</li><li>• Entering device code successful</li></ul> |

*Note 1: Red LED flashes 6 times means that the setup process is failed. Please redo the process again.*

## IR Port Mapping

### Mapping individual Channel to individual Port in ZXT-310

#### ⓘ Important

- Please make sure that the “End point selection control” has completed (if necessary) before process the following setup.

| Step | Setup Key   | LED Indication Status on ZXT-310   |
|------|---|--|
| 1    | Make sure ZXT-310 switched to Channel 1 (EP1)   | <ul style="list-style-type: none"><li>• LED flashes once then keep on</li></ul>  |
| 2    | Refer to your primary controller instructions to process the configuration setup procedure.<br>- Parameter: 29<br>- Value: 01<br>(Enter the IR port number 1 -6 which you want to transmit the IR signal) | -  |
| 3    | Press the PROG button on ZXT-310  | <ul style="list-style-type: none"><li>• LED flashes twice then keep on</li><li>• Set IR Port output successful</li></ul> |

*Note 1: Red LED flashes 6 times means that the setup process is failed. Please redo the process again.*

*Note 2: All the Simple AV Channel / Z-Wave-to-IR Channel will map to “IR Port 1” by default if user has not go through the above setup procedure or Z-Wave remote controller does not support “Multi-channel Command Class”.*

## IR Output Power

Set IR Output Power Level for each IR port (except IR Port 1)

### ⓘ Important

- Please make sure that the “End point selection control” has completed (if necessary) before process the following setup.

| Step | Setup Key   | LED Indication Status on ZXT-310   |
|------|---|--|
| 1    | Make sure ZXT-310 switched to Channel 1 (EP1)   | <ul style="list-style-type: none"><li>• LED flashes once then keep on</li></ul>  |
| 2    | Refer to your primary controller instructions to process the configuration setup procedure.<br>- Parameter: 28 (0x1C)<br>- Value: 255 (0xFF)<br><br>Set IR output power level by entering<br>0 (0x00) Normal power mode<br>255 (0xFF) High power mode<br><b>(default is in high power mode)</b> | -  |
| 3    | Press the PROG button on ZXT-310  | <ul style="list-style-type: none"><li>• LED flashes twice then keep on</li><li>• Set IR Power level successful</li></ul> |

*Note 1: Red LED flashes 6 times means that the setup process is failed. Please redo the process again.*

*Note 2: IR port 1 is a fixed IR output power which is un-configurable and operating in wide angle and long distance coverage.*

| IR Port Number | IR Output Power Mode        | Default value |
|----------------|-----------------------------|---------------|
| 1              | Un-configurable             | -             |
| 2              | Configure as Normal or High | High          |
| 3              | Configure as Normal or High | High          |
| 4              | Configure as Normal or High | High          |
| 5              | Configure as Normal or High | High          |
| 6              | Configure as Normal or High | High          |

*IR Port Output Power*

## IR Code Learning

### Learning IR Code on ZXT-310

(Learn an IR control code from the original remote control to ZXT-310)

#### **① Important**

- Please make sure that the “End point selection control” has completed (if necessary) before process the following setup.

| Step | Setup Key   | LED Indication Status on ZXT-310  |
|------|---|---|
| 1    | Make sure ZXT-310 switched to Channel 1 (EP1)   | <ul style="list-style-type: none"> <li>• LED flashes once then keep on</li> </ul>   |
| 2    | Refer to your primary controller instructions to process the configuration setup procedure.<br>- Parameter: 25 (0x19)<br>- Value: 0001 (0x0001)<br><br>(Z-Wave Cmd#, e.g. if POWER key is going to be learnt, input the value: 39 (0x27)) | <ul style="list-style-type: none"> <li>• LED flashes once when ZXT-310 receives the configuration setting</li> <li>• ZXT-310 is ready to learn</li> </ul> |
| 3    | Place the ZXT-310 and your original remote on a flat surface, aimed at each other and 1-3 cm apart from the “L” learning mark.  | -   |
| 4    | Press and keep holding the key on your original equipment remote which you want to learn for a few  | <ul style="list-style-type: none"> <li>• LED flashes twice then keep on</li> </ul>  |

|   |   |                           |
|---|---|---------------------------|
|   | seconds                                 | • Learn a code successful |
| 5 | Repeat step 2 to 5 to learn other keys. | -                         |

*Note 1: Red LED flashes 6 times means that the setup process is failed. Please redo the process again.*

*Note 2: On step 4, if no IR signal received for more than 15 seconds, the Error LED in front will flashes six times then all LED turn off, Learning on ZXT-310 mode will exit automatically.*

**❗ When you encounter problem, check followings:**

- Make sure your original remote is switched to power off.
- Press the key on original remote before learning mode timeout.
- Keep away from incandescent light and direct sunlight during learning.
- Make sure IR Transmitter of your original remote align with learning diode of ZXT-310, you may also slight adjust closer or further away the distance of two devices. Some of remotes the IR transmitter is hidden behind lens and may not be installed in the center of remote.
- Make sure the power is good on both devices, especially the original remote. Use fresh batteries.

### *Reset ZXT-310 to factory default*

Press and hold "PROG" button for 10 seconds on ZXT-310, LED will flash until reset process is completed.

## ZXT-310 Information

### How to get the NIF “Node Information Frame” on ZXT-310

| Step | Setup Key  | LED Indication Status on ZXT-310  |
|------|--|---|
| 1    | Make sure ZXT-310 switched to Channel 1 (EP1)  | <ul style="list-style-type: none"><li>• LED flashes once then keep on</li></ul>   |
| 2    | Press the PROG button on the ZXT-310<br>(EP1 will response “NIF”<br>EP2, EP3, EP4, EP5, EP6 will response “Multi-channel capability report”) | <ul style="list-style-type: none"><li>• LED flashes once then keep on<br/>(ZXT-310 will report the supported command class)</li></ul> |

## IR Transmission Mode

### Set IR transmission mode for IR transmission

| Step | Setup Key  | LED Indication Status on ZXT-310   |
|------|--|--|
| 1    | Make sure ZXT-310 switched to Channel 1 (EP1)  | <ul style="list-style-type: none"><li>• LED flashes once then keep on</li></ul>                                |
| 2    | Refer to your primary controller instructions to process the configuration setup procedure.<br>- Parameter: 31 (0x1F)<br>- Value: 255 (0xFF)<br>Set IR output power level by entering<br>0 (0x00) Continuous IR transmission mode<br><b>(default)</b><br>255 (0xFF) Single shot IR transmission mode | -  |
| 3    | Press the PROG button on ZXT-310   | <ul style="list-style-type: none"><li>• LED flashes twice then keep on</li><li>• End point selection</li></ul> |

|  |            |
|--|------------|
|  | successful |
|--|------------|

*Note 1: Red LED flashes 6 times means that the setup process is failed. Please redo the process again.*

## End-Point Selection Control

Set target end point by configuration command class

| Step | Setup Key   | LED Indication Status on ZXT-310   |
|------|---|--|
| 1    | Make sure ZXT-310 switched to Channel 1 (EP1)   | <ul style="list-style-type: none"> <li>• LED flashes once then keep on</li> </ul>  |
| 2    | Refer to your primary controller instructions to process the configuration setup procedure. <ul style="list-style-type: none"> <li>- Parameter: 38 (0x26)</li> <li>- Value: 1 (0x01) = EP1</li> <li>          2 (0x02) = EP2</li> <li>          3 (0x03) = EP3</li> <li>          4 (0x04) = EP4</li> <li>          5 (0x05) = EP5</li> <li>          6 (0x06) = EP6</li> </ul> (Enter the Endpoint number 1 - 6 which you want to configure) | -  |
| 3    | Press the PROG button on ZXT-310  | <ul style="list-style-type: none"> <li>• LED flashes twice then keep on</li> <li>• End point selection successful</li> </ul> |

*Note 1: Red LED flashes 6 times means that the setup process is failed. Please redo the process again.*



## Z-Wave Configuration Parameters

| Parameter Number           | Definitions  | Size (Byte) | Parameter Value   |
|----------------------------|--|-------------|---|
| 1–20<br>(0x01–0x14)        | UIRD formatted raw data for the Simple AV command number or key being downloaded or uploaded   | 4           | Depends on IR code data<br><br>(Depend on UIRD data)  |
| 21<br>(0x15)               | The Simple AV command number or key going to be downloaded to the ZXT-310  | 2           | Referred to Simple AV command class key ID<br><br>(Default : 0x0000<br>No simple AV ID is selected)   |
| 22<br>(0x16)               | Download status register (Read only)<br><br>* The status value 1, 3, 4 will be reset to 0 when ZXT-310 receive a get command to this parameter   | 1           | 0 (0x00): IR channel idle<br>1 (0x01): OK<br>2 (0x02): Downloading<br>3 (0x03): Command Full<br>4 (0x04): Operation Fail<br>(Default: idle, 0x00) |
| 23 to 24<br>(0x17 to 0x18) | Reserved (For internal reference only)   | -           | N/A   |
| 25<br>(0x19)               | The Simple AV command number or key going to be learned<br><br>* Any incoming operation may probably to wait up to 15s to release until the internal process of parameter 0x19 has finished. | 2           | Referred to Simple AV command class key ID  |
| 26<br>(0x1A)               | Learning status register (Read only)<br><br>* The status value 1, 3, 4 will be reset to 0 when   | 1           | 0x00: IR channel idle (default)<br>1 (0x01): OK<br>2 (0x02): Learning<br>3 (0x03):  |

|                            |   |   |  |
|----------------------------|---|---|--|
|                            | ZXT-310 receive a get command to this parameter   |   | Command Full<br>4 (0x04): Learning Fail  |
| 27<br>(0x1B)               | IR code number for built-in code library  | 2 | Refer "Code list" for details  |
| 28<br>(0x1C)               | External IR Emitter power level<br><br>* If IR output port routing is set to 1, IR transmission power level cannot be changed | 1 | 0 (0x00): normal power mode<br>255 (0xFF): high power mode<br><b>(default)</b>   |
| 29<br>(0x1D)               | IR output port routing  | 1 | 1 (0x01): IR Port 1<br><b>(default)</b><br>2 (0x02): IR Port 2<br>3 (0x03): IR Port 3<br>4 (0x04): IR Port 4<br>5 (0x05): IR Port 5<br>6 (0x06): IR Port 6 |
| 30<br>(0x1E)               | Reserved (For internal reference only)  | - | N/A  |
| 31<br>(0x1F)               | IR transmission mode  | 1 | 0 (0x00): Continuous IR transmission mode<br><b>(default)</b><br>255 (0xFF): Single shot IR transmission mode  |
| 32 to 35<br>(0x20 to 0x23) | Reserved (For internal reference only)  | - | N/A  |
| 36<br>(0x24)               | Check Library Version (Read Only)   | 4 | Byte 1, 2 Firmware Version<br>Byte 3, 4 Library Version  |
| 37<br>(0x25)               | Reserved (For internal reference only)  | - | N/A  |
| 38<br>(0x26)               | End-point selection control   | 1 | 1 (0x01): EP1<br><b>(default)</b><br>2 (0x02): EP2<br>3 (0x03): EP3<br>4 (0x04): EP4<br>5 (0x05): EP5<br>6 (0x06): EP6                                     |

Parameter Table

## ① Mapping Information

- BASIC Set Value 0x00 will map to Simple AV key ID (Power Off) 0x00F7.
- BASIC set Value 0xFF will map to Simple AV key ID (Power) 0x0027.

IR keys table for build-in code library:

| US Keys     |                       |                                  |               |                  |
|-------------|-----------------------|----------------------------------|---------------|------------------|
| Key ID(Dec) | Standard Key function | Description                      | Key in device | Z-Wave Cmd#(Dec) |
| 0           | (RESERVED)            | (not used)                       | (RESERVED)    |                  |
| 1           | POWER                 | Power toggle ON/OFF              | POWER         | 39               |
| 2           | CH_DOWN               | Channel down                     | CH▼           | 5                |
| 3           | CH_UP                 | Channel up                       | CH▲           | 4                |
| 4           | VOL_DOWN              | Volume down                      | VOL▼          | 2                |
| 5           | VOL_UP                | Volume up                        | VOL▲          | 3                |
| 6           | MUTE                  | Mute                             | MUTE          | 1                |
| 7           | REW                   | Rewind                           | ◀◀            | 23               |
| 8           | PLAY                  | Play                             | ▶             | 19               |
| 9           | FF                    | Fast forward                     | ▶▶            | 22               |
| 10          | STOP                  | Stop                             | ■             | 20               |
| 11          | PAUSE                 | Pause                            |               | 21               |
| 12          | REC                   | Record                           | ●             | 25               |
| 13          | DIGIT_ZERO            | 0                                | 0             | 6                |
| 14          | DIGIT_ONE             | 1                                | 1             | 7                |
| 15          | DIGIT_TWO             | 2                                | 2             | 8                |
| 16          | DIGIT_THREE           | 3                                | 3             | 9                |
| 17          | DIGIT_FOUR            | 4                                | 4             | 10               |
| 18          | DIGIT_FIVE            | 5                                | 5             | 11               |
| 19          | DIGIT_SIX             | 6                                | 6             | 12               |
| 20          | DIGIT_SEVEN           | 7                                | 7             | 13               |
| 21          | DIGIT_EIGHT           | 8                                | 8             | 14               |
| 22          | DIGIT_NINE            | 9                                | 9             | 15               |
| 23          | MENU                  | Menu mode                        | MENU          | 29               |
| 24          | ENTER                 | Channel enter                    | ENTER         | 40               |
| 25          | TV_VCR                | AV, TV/VCR or Source             | AV            | 38               |
| 26          | STANDBY               | Standby or power off             | STANDBY       | 404              |
| 27          | PREV_CHAN             | Previous channel or last channel | LAST CH       | 16               |
| 28          | CHAP_DOWN             | Chapter down, or skip backward   | ◀◀            | 284              |
| 29          | CHAP_UP               | Chapter up, or skip backward     | ▶▶            | 283              |
| 30          | GUIDE                 | On screen program guide          | GUIDE         | 28               |
| 31          | PIP                   | Picture in picture               | PIP           | 241              |
| 32          | TOGGLE                | Toggle picture in picture screen | PIP SWAP      | 244              |
| 33          | INFO                  | Information or on screen display | DISPLAY       | 17               |
| 34          | SUBTITLE              | Subtitle or close caption        | CC            | 103              |
| 35          | HOLD                  | (not used)                       |               |                  |
| 36          | EP_RD                 | (not used)                       |               |                  |
| 37          | SMT                   | (not used)                       |               |                  |
| 38          | SLEEP                 | Sleep timer                      | SLEEP TIMER   | 285              |
| 39          | BR_DOWN               | (not used)                       |               |                  |
| 40          | BR_UP                 | (not used)                       |               |                  |
| 41          | QUIT                  | Exit from Menu mode              | BACK          | 37               |
| 42          | ARROW_LEFT            | Menu mode arrow left             | ◀             | 32               |
| 43          | ARROW_UP              | Menu mode arrow up               | ▲             | 30               |
| 44          | ARROW_RIGHT           | Menu mode arrow right            | ▶             | 33               |
| 45          | MENU_OK               | Menu mode OK or select           | OK            | 36               |
| 46          | ARROW_DOWN            | Menu mode arrow down             | ▼             | 35               |

AV Command to IR Control Code (US, BR, CN) Mapping Table

| EU Keys     |                       |                                 |                      |                  |
|-------------|-----------------------|---------------------------------|----------------------|------------------|
| Key ID(Dec) | Standard Key function | Description                     | Key in device        | Z-Wave Cmd#(Dec) |
| 0           | (RESERVED)            | (not used)                      | (RESERVED)           |                  |
| 1           | POWER                 | Power toggle ON/OFF             | POWER                | 39               |
| 2           | CH_DOWN               | Channel down                    | CH▼                  | 5                |
| 3           | CH_UP                 | Channel up                      | CH▲                  | 4                |
| 4           | VOL_DOWN              | Volume down                     | VOL▼                 | 2                |
| 5           | VOL_UP                | Volume up                       | VOL▲                 | 3                |
| 6           | MUTE                  | Mute                            | MUTE                 | 1                |
| 7           | REW                   | Rewind                          | ◀◀                   | 23               |
| 8           | PLAY                  | Play                            | ▶▶                   | 19               |
| 9           | FF                    | Fast forward                    | ▶▶▶▶                 | 22               |
| 10          | STOP                  | Stop                            | ■                    | 20               |
| 11          | PAUSE                 | Pause                           |                      | 21               |
| 12          | REC                   | Record                          | ●                    | 25               |
| 13          | DIGIT_ZERO            | 0                               | 0                    | 6                |
| 14          | DIGIT_ONE             | 1                               | 1                    | 7                |
| 15          | DIGIT_TWO             | 2                               | 2                    | 8                |
| 16          | DIGIT_THREE           | 3                               | 3                    | 9                |
| 17          | DIGIT_FOUR            | 4                               | 4                    | 10               |
| 18          | DIGIT_FIVE            | 5                               | 5                    | 11               |
| 19          | DIGIT_SIX             | 6                               | 6                    | 12               |
| 20          | DIGIT_SEVEN           | 7                               | 7                    | 13               |
| 21          | DIGIT_EIGHT           | 8                               | 8                    | 14               |
| 22          | DIGIT_NINE            | 9                               | 9                    | 15               |
| 23          | MENU                  | Menu mode                       | MENU                 | 29               |
| 24          | EXIT                  | Exit from Menu mode             | EXIT                 | 37               |
| 25          | AV                    | AV, TV/VCR or Source            | AV1                  | 38               |
| 26          | I, II                 | Audio selection, L/R            | I-II                 | 301              |
| 27          | RED                   | Teletext Red                    |                      | 157              |
| 28          | GREEN                 | Teletext Green                  |                      | 155              |
| 29          | YELLOW                | Teletext Yellow                 |                      | 129              |
| 30          | BLUE                  | Teletext Blue                   |                      | 154              |
| 31          | MIX                   | Teletext Mix mode               |                      | 323              |
| 32          | TV MODE               | Teletext TV mode, Teletext Off  |                      | 324              |
| 33          | INDEX                 | Teletext Index mode             | 100                  | 322              |
| 34          | TEXT                  | Teletext Text mode              |                      | 319              |
| 35          | HOLD                  | Teletext Hold / STOP            |                      | 321              |
| 36          | EP_RD                 | Teletext Expend/Reduce          |                      | 320              |
| 37          | DEVICE_TX             | (not used)                      |                      |                  |
| 38          | S_POW                 | Sleep timer                     | SLEEP TIMER          | 285              |
| 39          | BR_DW                 | Brightness Down                 | BR-                  | 89               |
| 40          | BR_UP                 | Brightness Up                   | BR+                  | 90               |
| 41          | COL_DW                | Color Down                      | COL-                 | 106              |
| 42          | COL_UP                | Color Up                        | COL+                 | 107              |
| 43          | CON_DW                | Contrast Down                   | CONT-                | 115              |
| 44          | CON_UP                | Contrast Up                     | CONT+                | 116              |
| 45          | INFO                  | Information or OSD              | INFO                 | 17               |
| 46          | P_P                   | Previous Channel                | PREV. CH             | 16               |
| 47          | -/--                  | One/Two digit for channel       | - / --               | 51               |
| 48          | <<                    | Chapter down, or skip backward  | ◀◀                   | 284              |
| 49          | >>                    | Chapter up, or skip backward    | ▶▶                   | 283              |
| 50          | S_AV                  | Alternate AV, TV/VCR or Source  | AV2                  | 355              |
| 51          | S_I,II                | Alternate Audio or Stereo       | STEREO               | 65               |
| 52          | LEFT                  | Menu mode arrow left            | ◀                    | 32               |
| 53          | UP                    | Menu mode arrow up              | ▲                    | 30               |
| 54          | RIGHT                 | Menu mode arrow right           | ▶                    | 33               |
| 55          | SELECT                | Menu mode OK or select          | OK                   | 36               |
| 56          | DOWN                  | Menu mode arrow down            | ▼                    | 35               |
| 57          | BOX_OFFICE / VOD      | Cable box functions             | BOX_OFFICE / VOD     | 386              |
| 58          | ACTIVE / INTERACTIVE  | Cable box functions             | ACTIVE / INTERACTIVE | 179              |
| 59          | PLANNER / SERVICE     | Cable box functions             | PLANNER / SERVICE    | 276              |
| 60          | HELP                  | Cable box functions             | HELP                 | 174              |
| 61          | TV_GUIDE              | Program Guide or EPG            | EPG                  | 28               |
| 62          | SETUP                 | Setup                           | SETUP                | 277              |
| 63          | ASPECT                | Aspect Ratio, 16:9, Wide Screen | ASPECT               | 64               |

AV Command to IR Control Code (EU, AU, IN, RU, IL) Mapping Table

### ① Information

- If you are using Gateway or other z-wave controllers to operate ZXT-310, Please follow the instruction from the gateway or other controller.

## Installation

### *Mounting the ZXT-310 to a wall*

#### MOUNTING LOCATION PRECAUTIONS

- Before mounting, check the material and structure of the mounting location. If the location does not have the proper material or structure, the ZXT-310 can fall and cause an injury.
- Use commercial items that best match the wall structure and material for the screws and other fixtures.
- Do not mount near a kitchen counter, humidifier, or other location in which it can be exposed to smoke or steam. Doing so could cause a fire or electrical shock.
- Do not mount in locations with high humidity or large amounts of dust. Doing so could cause a fire or electrical shock.
- Do not mount to locations subject to high temperatures, high humidity, or exposed to water. Doing so could cause a fire or electrical shock.
- Do not mount to locations subject to large amounts of vibration, large jolts, or large forces. These could cause an injury if the ZXT-310 falls and breaks.

#### MOUNTING PROCEDURE PRECAUTIONS

- Do not modify parts or use the ZXT-310 in ways other than its intended use. Doing so could cause the ZXT-310 to fall and result in an injury.
- Be sure to fully check that there are no electrical wires or pipes inside the wall before mounting.
- If any of the screws are loose, the ZXT-310 can fall and cause an injury. Do not mount the ZXT-310 with the screws still loose.
- Check that the two screws mounted to the wall are fully inserted into the key holes of the ZXT-310. Otherwise, the ZXT-310 can fall and cause an injury.
- Do not mount the ZXT-310 so that it sticks out from the wall edge. It could get hit by people's bodies or objects and cause an injury.
- Supplier will not be liable for any accidents or injuries that occur due to improper mounting or handling.
- When mounting, be careful not to get your fingers pinched or injure your hands.

#### MOUNTING PROCEDURE

The ZXT-310 can be mounted to a wall or wooden racks using the two key holes in the bottom case. The ZXT-310 can be oriented horizontally or vertically. Mount in the best way for your installation conditions.

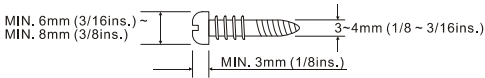
*Note 1: The reception sensitivity varies depending on the antenna*

direction. Find the direction providing the best reception by adjusting the antenna direction before mounting the ZXT-310.

Note 2: No screws are provided for mounting to a wall.

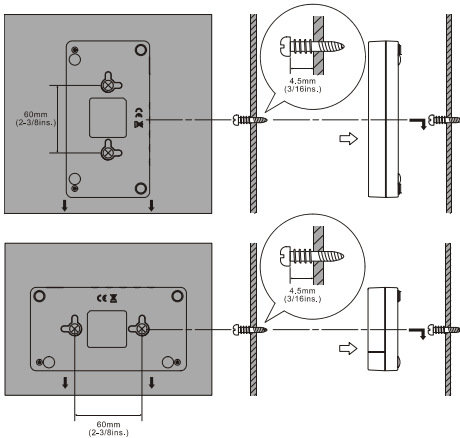
Note 3: Before mounting to a wall, be sure to fully read the precautions.

1. Obtain two screws suitable for the wall strength and material. The screw size is shown in the figure below.



2. The positional relationship between the ZXT-310 key holes and the screw mounting positions are shown in the figure below.

Note 1: When mounting the screws to the wall, leave a space between the wall and screw cap as shown in the figure.



3. Insert the ZXT-310 key holes onto the two screws mounted to the wall, and then slide downward to secure in place.
4. After securing the ZXT-310 to the wall, connect the AC/DC adaptor and cables to the ZXT-310.  
Note 1: Check that the ZXT-310 is firmly secured to the wall.  
Note 2: Insert the AC/DC adaptor and IR emitter cable so that they are firmly connected to the ZXT-310.
5. When removing the ZXT-310 from the wall, lift up the ZXT-310, then pull it towards you.

## Wireless Information

This device has an open air line of sight transmission distance of 25m which complies with the Z-Wave standards. Performance can vary depending on the amount of objects in between Z-Wave devices such as walls and furniture. Every Z-Wave device set up in your house will act as a signal repeater allowing devices to talk to each other and find alternate routes in the case of a reception dead spot.

Radio frequency limitations:

1. Each wall or object (i.e.: refrigerator, bookshelf, large TV, etc) can reduce the maximum range of 20m by up to 20 to 30%.
2. Plasterboard and wooden walls block less of the radio signal than concrete, brick or tile walls which will have more of an effect on signal strength.
3. Wall mounted Z-Wave devices will also suffer a loss of range as they are housed in metal junction boxes which could reduce the range by up to 20 to 30%.

## Maintenance

- 1 Do not expose your unit to dust, strong sunlight, humidity, high temperatures or mechanical shocks.
- 2 Do not use corrosive or abrasive cleansers on your unit.
- 3 Keep the unit dust free by wiping it with a soft, dry cloth.
- 4 Do not disassemble your unit; it contains no user-serviceable parts.

## Frequently Asked Questions

**Q Why won't my unit work with the Z-Wave devices I purchased from another country?**

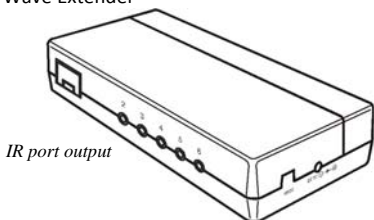
A Due to different countries regulations Z-Wave products from different regions are set to different frequencies. Before purchasing new devices make sure you have checked to see that the device is compatible in your region.

**Q What is multi-channel device?**

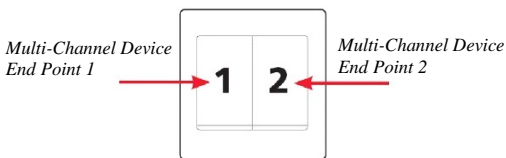
A The multi-channel command class used to control one or more end points in a given device that supports this command class.

There are several kinds of multi-channel products in the market such as Z-Wave Extender™, Z-Wave wall switch / dimmer and power strip. It can control the end-point individually.

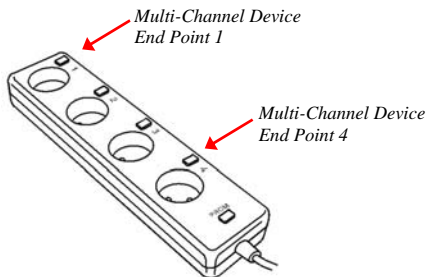
- Z-Wave Extender™



- Z-Wave wall switch / dimmer



- Z-Wave power strip



Please refer to the target device user manual for more information such as Inclusion / Exclusion and add End Point to a Scene / Group.

**Q How to select my AV equipment IR code from ZXT-310?**

**A** You should refer to the code list and look into the Device + Brand and try the code no. sequentially until you find the right code. You can record down your device code under the table for future reference after setting up the ZXT-310 correctly.

**Q ZXT-310 supports external IR emitters, but there is no response on the IR emitter socket, why?**

**A** You should make sure your selected IR port output is same as your configuration; please refer to “IR Port Mapping” section.



ZXT-310 supports two IR power levels for the external IR emitter to avoid saturation of the IR receiver. You can set the IR output power level by the Parameter Table value (normal or high power mode) or adjust the position of your external IR emitter.

**Q Can I use 2 or more ZXT-310 in my house? What is the max. units if yes?**

**A** Yes and it is very depend on the capability of gateway / controller. For example, gateway can supports up to 1, 6 or more ZXT-310 in a network.

## Technical Specifications

|                       |  |
|-----------------------|--|
| Model No.             | BW8371US (ZXT-310US)<br>BW8371EU (ZXT-310EU)<br>BW8371AU (ZXT-310AU)<br>BW8371IN (ZXT-310IN)<br>BW8371RU (ZXT-310RU)<br>BW8371BR (ZXT-310BR)<br>BW8371IL (ZXT-310IL)<br>BW8371CN (ZXT-310CN)         |
| RF Frequency          | 908.42MHz (ZXT-310US)<br>868.42MHz (ZXT-310EU)<br>921.42MHz (ZXT-310AU)<br>865.22MHz (ZXT-310IN)<br>869.02MHz (ZXT-310RU)<br>921.42MHz (ZXT-310BR)<br>916.02MHz (ZXT-310IL)<br>868.42MHz (ZXT-310CN) |
| RF operating distance | up to 80ft outdoor line of sight, in unobstructed environment  |
| IR operating distance | up to 25ft line of sight, in unobstructed environment  |
| IR Frequency          | Up to 455kHz   |
| Temperature           | operation: 0~40°C<br>storage: -20~60°C   |
| Powered by            | DC 5V 100mA  |
| Dimension (L x W x T) | 139 x 75 x 28.5 mm   |
| Weight                | 90g  |

## Checking Accessories

After opening the cover of the packing box, check that the following accessories are included.

- ZXT-310: Z-Wave-to-AV IR Extender
- Power adaptor: 100~240Vac input, 5Vdc 1000mA (for ZXT-310)
- IR Emitting Cable: 3.5mm Mono plug cable x 3pcs (for ZXT-310)
- [User Manual \(download from our website\)](#)
- [Code List \(download from our website\)](#)
- [Warranty sheet](#)

## FCC Notice

This device complies with Part 15 of the FCC rules. Operation is subject to the following two conditions:

- (1) this device may not cause harmful interference, and
- (2) this device must accept any interference received, including interference that may cause undesired operation.

NOTE: This equipment has been tested and found to comply with the limits for a Class B digital device, pursuant to Part 15 of the FCC Rules. These limits are designed to provide reasonable protection against harmful interference in a residential installation. This equipment generates, uses and can radiate radio frequency energy and, if not installed and used in accordance with the instructions, may cause harmful interference to radio communications. However, there is no guarantee that interference will not occur in a particular installation. If this equipment does cause harmful interference to radio or television reception, which can be determined by turning the equipment off and on, the user is encouraged to try to correct the interference by one or more of the following measures:

- Reorient or relocate the receiving antenna.
- Increase the separation between the equipment and receiver.
- Connect the equipment into an outlet on a circuit different from that to which the receiver is connected.
- Consult the dealer or an experienced radio/TV technician for help.

Notice : Changes or modifications to this unit not expressly approved by the party responsible for compliance could void the user authority to operate the equipment.

## **Warnings**

- Do not modify the unit in any way.
- Risk of fire.
- Risk of electrical shock.
- Risk of burns.
- Do not dispose of electrical appliances and unsorted municipal waste, use separate collection facilities. Contact your local government for information regarding the collection systems available.
- There is no user serviceable parts in this unit.
- The socket-outlet shall be installed near the equipment and shall be easily accessible.
- Use only power supplies listed in the user instructions.

## **Caution**

- Risk of explosion if battery is replaced by an incorrect type.
- Dispose of used batteries according to the instructions.